



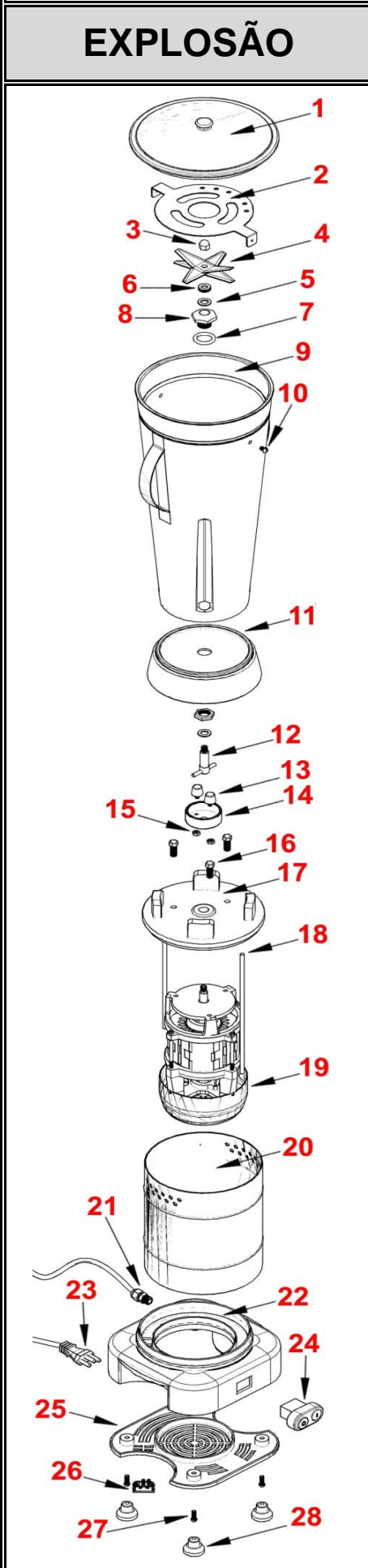
SPOLU BENESE DO BRASIL LTDA.

LIQUIDIFICADOR BAIXA ROTAÇÃO - 6,8,10 LITROS

CLASSE I - IPX 1

<b>MODELO</b>	SPL-050,051,052	<b>ROTAÇÃO</b>	3.500 rpm
<b>TENSÃO (BIVOLT)</b>	127 V/220 V	<b>FREQUÊNCIA</b>	60 Hz
<b>POTÊNCIA</b>	1000 W	<b>CAPACIDADE</b>	6,8,10 LITROS

TABELA ATUALIZADA EM 02/08/2016



EXPLOSÃO	DESCRIÇÃO	COD	NCM	IPI
		SPL-050 - 6 L		
		SPL-051 - 8 L		
		SPL-052 - 10 L		
1	Tampa - Liq 6/8/10 L BR	SPLP-104	8438.90.00	5%
2	Bloqueio - Copo 4 a 10 L com solda	SPLP-294	8438.90.00	5%
3	Porca calota inox 5/16"	SPLP-293	8438.90.00	5%
4	Hélice Liq 6/8/10 L BR e Liq basc	SPLP-102	8438.90.00	5%
5	Arruela de Celeron 19X11 mm - Liq BR 6/8	SPLP-141	8438.90.00	5%
6	Anel V'ring 10X16X4 mm - Liq BR	SPLP-144	8438.90.00	5%
7	Anel O'ring 24X3,5 mm	SPLP-142	8438.90.00	5%
8	Mancal com Bucha Liq 6/8/10 L BR e Liq B	SPLP-310	8438.90.00	5%
9	Copo inox 6 L BR	SPLP-265	8435.90.00	5%
9	Copo inox 8 L BR	SPLP-266	8435.90.00	5%
9	Copo inox 10 L BR	SPLP-267	8435.90.00	5%
10	Parafuso Inox 3/16 x 1/4 inox	SPLP - 366	8438.90.00	5%
11	Base do copo liq. BR 6/8/10 L	SPLP-106	8438.90.00	5%
12	Pino de Arrasto - liq. 2/4/6/8/10 L BR e Liq	SPLP-139	8438.90.00	5%
13	Borracha do arrasto AR e BR - O par	SPLP-222	8438.90.00	5%
14	Bolacha de Nylon - Liq BR e Liq 4 L AR	SPLP-297	8438.90.00	5%
15	Porca zincada 3/16"	SPLP-017	8438.90.00	5%
16	Parafuso sextavado 5/16 x 1"	SPLP-322	8438.90.00	5%
17	Flange Liq 2/4/6/8/10 L BR	SPLP-111	8438.90.00	5%
18	Varão 3/16" X 245 mm	SPLP-121	8438.90.00	5%
19	Motor Liq BR 6/8/10 L	SPLP-274	8438.90.00	5%
20	Corpo inox Liq 6/8/10 L BR	SPLP-212	8438.90.00	5%
21	Prensa cabos PG09	SPLP-323	8438.90.00	5%
22	Base inf quadrada maior - Liq BR/Cutter/P	SPLP-325	8438.90.00	5%
23	Rabicho emborrachado - Liq. BR e Cutter	SPLP-324	8438.90.00	5%
24	Chave liga/desliga dois contatos	SPLP-328	8438.90.00	5%
25	Grelha de fechamento da base quadrada r	SPLP-326	8438.90.00	5%
26	Chave HH Voltagem 2/4/6/8/10 L BR	SPLP-114	8438.90.00	5%
27	Parafuso rosca panela 5,5 X 13	SPLP-327	8438.90.00	5%
28	Pé para base quadrada	SPLP-329	8438.90.00	5%

COPO COMPLETO		MANCAL COMPLETO	MOTOR/CORPO											
			IPI 5%											
<table border="1"> <tr><td>6 L</td><td>8435.90.00</td><td>SPLP-093</td></tr> <tr><td>8 L</td><td>8435.90.00</td><td>SPLP-094</td></tr> <tr><td>10 L</td><td>8435.90.00</td><td>SPLP-095</td></tr> </table>		6 L	8435.90.00	SPLP-093	8 L	8435.90.00	SPLP-094	10 L	8435.90.00	SPLP-095	<table border="1"> <tr><td>SPLP-125</td><td>8438.90.00</td></tr> </table>		SPLP-125	8438.90.00
6 L	8435.90.00	SPLP-093												
8 L	8435.90.00	SPLP-094												
10 L	8435.90.00	SPLP-095												
SPLP-125	8438.90.00													
IPI 5%		<table border="1"> <tr><td>SPLP-217</td><td>8438.90.00</td><td>IPI 5%</td></tr> </table>		SPLP-217	8438.90.00	IPI 5%								
SPLP-217	8438.90.00	IPI 5%												
		<b>ESQUEMA ELÉTRICO</b>												